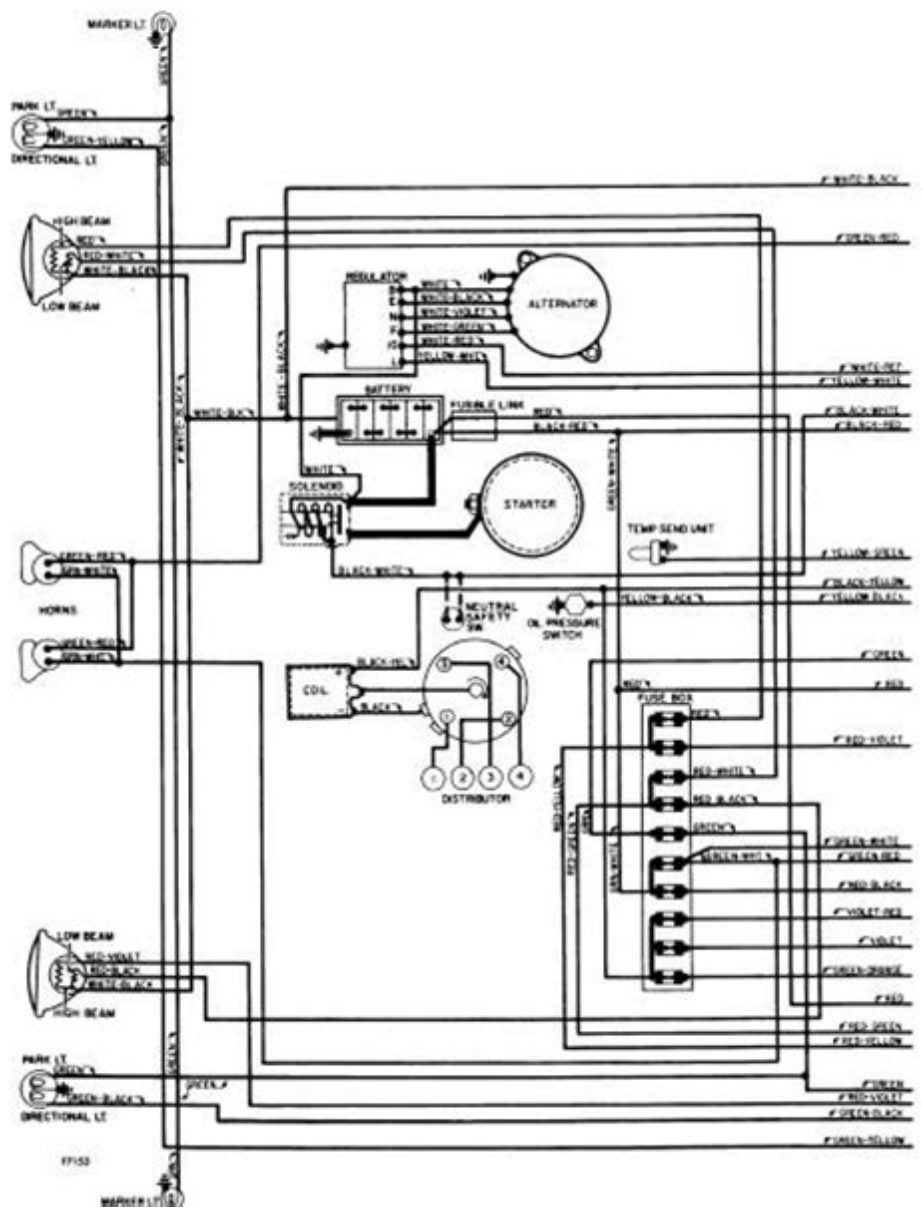


Toyota 1971 Corolla

1-114



Click here to access this Book :

[FREE DOWNLOAD](#)

Toyota Corolla Wiring Diagram Original

[Toyota Corolla Wiring Diagram](#)

Toyota Corolla Wiring Diagram

Toyota Corolla 2006 Electrical Wiring Diagram OVERALL WIRING. RELAY LOCATIONS. SYSTEM CIRCUITS - EM00H0U. 2009-2010 Toyota Corolla Wiring Diagrams (EM12R1U) EM12R1U Download PDF. 2004 Toyota Corolla Electrical Wiring Diagram Abbreviations. ABS. Air conditioning. Back up light. Charging. Cigarette lighter. Clock. Combination meter . Connectors. Cruise control. Door lock control ...

Toyota Corolla PDF Manual - Wiring Diagrams

You can download manual for free: <http://bit.ly/2RMuAgU> File 2000 Toyota Corolla AE112R Ultima sedan 2015 06 15. Toyota Corolla CE Silver T TAK Auto Service....

Toyota Corolla : wiring diagram for Corolla 2010-2017 ...

TOYOTA Avalon, Avenis, Aygo, Camry, Carina 2, Corolla, Corona, FJ40, Hiace, Hilux, Land Cruiser, Prius, RAV4, Supra, Tundra, Yaris - Electrical Wiring Diagrams

TOYOTA Wiring Diagrams - Car Electrical Wiring Diagram

Toyota Corolla / Auris Electrical Wiring Diagram (EM04F1E) OVERALL ELECTRICAL WIRING DIAGRAM CONNECTOR LIST RELAY LOCATION GROUND POINTS SYSTEM CIRCUIT 2009-2010 Toyota Corolla Wiring Diagrams (EM12R1U)

Toyota Electrical - Wiring Diagrams

Wiring Diagram toyota Corolla 1997 - Collections Of Best toyota Corolla Wiring Diagram St75 - Documentaries for Change. 1994 toyota Corolla Wiring Diagram Deltagenerali Me and - Volovetsfo. Holden astra Wiring Diagram Free New Wiring Diagram toyota Corolla. 2013 toyota Corolla Alarm Wiring Diagram Wire Center •

Wiring Diagram toyota Corolla 1997 | Free Wiring Diagram

system circuit. Internal wiring for each junction block is also provided for better understanding of connection within a junction block. Wiring related to each system is indicated in each system circuit by arrows (from__ to__). When overall connections are required, see the Overall Electrical Wiring Diagram at the end of this manual.

2004 COROLLA ELECTRICAL WIRING DIAGRAM - Toyota

Toyota Wiring Diagram Color Codes - toyota hilux wiring diagram color codes, toyota wiring diagram color codes, toyota wiring diagram color codes headlight, Every electric structure is made up of various diverse pieces. Each part ought to be set and connected with different parts in specific manner. If not, the arrangement won't work as it ought to be.

Toyota Wiring Diagram Color Codes | Wirings Diagram

UNDERSTANDING TOYOTA WIRING DIAGRAMS WORKSHEET #3 1. How will the circuit be affected if there were an open at point X. 2. How will the circuit be affected if there were an open at point Y. 3. How will the circuit be affected if there were an open at point Z. 4. If the Horn Switch is OPEN, what voltage potential (Ground, Positive, or Electrically Dead) would you expect to find at point X, Y ...

TOYOTA ELECTRICAL WIRING DIAGRAM - Autoshop 101

Toyota Corolla repair manual, fault codes, wiring diagrams PDF free download See also:

Toyota Chaser repair manual Toyota Camry repair manual Toyota Service Manuals These repair manuals covers the operation and repair of the Toyota Corolla. The book describes the repair of cars with gasoline and diesel engines 4ZZ-FE / 3ZZ-FE / 2ZZ-GE / 1CD-FTV in volume 1.4, 1.6, 1.8 and 2.0D liters with a ...

Toyota Corolla repair manual free download - CarManualsHub

Toyota Corolla 1992-1998 Service Manual.rar - Multimedia manual in Russian on the operation and repair of Toyota Corolla 1992-1998 years of release.: 223Mb: Download: Toyota Corolla 1995-2000 Service Manual.rar - Manual in Russian for the maintenance and repair of Toyota Corolla / Corolla Levin / Sprinter / Sprinter Trueno 1995-2000 model years, right-hand drive models with petrol and ...

Toyota Corolla manual free download PDF | Automotive ...

Wiring Diagram For Toyota Corolla 1989. By Admin | October 21, 2017. 0 Comment. Repair guides ff850af 1989 toyota radio wiring diagram library for pickup 6cdf1a6 mr2 58d037 1992 tercel diagrams article text corolla rse pages za 0268 8d31cc0 89 camry resources 4661ee i have a tiny wire that is bundled with my alternator wires on. Repair Guides . Ff850af 1989 Toyota Radio Wiring Diagram Library ...

Wiring Diagram For Toyota Corolla 1989 - Wiring Diagram

TOYOTA Electrical Wiring Diagrams PDF above the page - Auris, Avalon, Avenis, Camry, Corolla, Hiace, Hilux, Land Cruiser, Prius, RAV-4, Supra, Yaris.. Toyota 4Runner - 5-door SUV class "K3". A restyled version of the fifth generation of the Toyota 4Runner.The car presentation was held in April 2013 in California (USA). Toyota Alphard is a 5-door class L minivan.

TOYOTA Wiring Diagrams PDF - Car PDF Manual, Wiring ...

Toyota Vehicles Diagrams, Schematics and Service Manuals - download for free! Including: 1970 corolla 1100 1200 wiring diagram, 1972 toyota celica ta22 wiring diagram, 1974 toyota corolla wiring diagram, 1986 toyota 22rtere efi wiring diagram, 1986 toyota celica starting system wiring diagram, 1989 toyota 4runner fuel pump wiring diagram, 1990 toyota camry ac clutch light flashing diagram ...

Free Toyota Vehicles Diagrams, Schematics, Service Manuals ...

Toyota Corolla 2010 Electrical Wiring Diagrams PDF. This webpage contains Toyota Corolla 2010 Electrical Wiring Diagrams PDF used by Toyota garages, auto repair shops, Toyota dealerships and home mechanics. With this Toyota Corolla Workshop manual, you can perform every job that could be done by Toyota garages and mechanics from: changing spark ...

Toyota Corolla 2010 Electrical Wiring Diagrams PDF

Toyota Corolla 2006 Electrical Wiring Diagram (EM00H0U) Updated: September 2020. Show full PDF. Get your hands on the complete Toyota factory workshop software £9.99 Download now . Check out our popular Toyota Corolla Manuals below: 2010 Toyota Corolla Repair Manual (RM0000010EW133X) 1999-05--Toyota--Corolla--4 Cylinders R 1.8L MFI DOHC--32606801 . 1988-1997--Toyota--Corolla--4 Cylinders A 1 ...

Toyota Corolla 2006 Electrical Wiring Diagram (EM00H0U)

Collection of 1997 toyota corolla radio wiring diagram. A wiring diagram is a simplified traditional pictorial depiction of an electric circuit. It shows the components of the circuit as simplified forms, and the power as well as signal links between the gadgets. A

wiring diagram typically gives details about the loved one placement and arrangement of gadgets as well as terminals on the ...

1997 toyota Corolla Radio Wiring Diagram | Free Wiring Diagram

written permission of Toyota Motor Corporation. First Printing : Jul. 06, 2007 01-070706-00 FOREWORD This manual has been prepared for use when performing terminal repairs, wire repairs, or connector repairs on vehicles. A step-by-step section on connector repair and terminal repair is included. There is a section of charts with terminal and connector illustrations, part numbers, and ...

FOREWORD - Toyota

Download Free Toyota Corolla Electrical Wiring Diagram pdf - This wiring diagram manual, which also contains a supplementary body electrical system, has been prepared to provide information about the electrical system of the Toyota Corolla, made by Toyota Corporation Australia limited. The supplement of the body's electrical system does not cover repairs to the electrical system of the body ...

Toyota Corolla Electrical Wiring Diagram - Wiring Diagram ...

Feel free to use any Toyota Corolla car stereo wiring diagram that is listed on Modified Life but keep in mind that all information here is provided "as is" without any warranty of any kind and most of the car audio wiring diagrams listed on our enthusiast website are submitted by the Modified Life community. Use of the Toyota Corolla wiring information is at your own risk. Always verify ...

Eventually you will categorically experience additional and execution by spending more money. again when? achieve you take that you need to acquire these all needs next have a lot of money? Why dont you try to acquire something fundamental in the beginning? This is something that will guide you to understand even more almost the globe, the experience, some places, next history, fun and more?

This is your completely own time to play revision of habits. in the middle of some guides that you might enjoy now are [Toyota Corolla Wiring Diagram Original](#) below.

[Sociology Of Art And Literature A Reader](#), [Readout 3060 Battletech](#), [To Read A Guide To Effective Reading](#), [To Learning Hiragana And Katakana First Steps To Reading And Writing Japanese](#), [New York Ccls Practice Answer Key](#), [The Film Reader](#), [Mason Williams Reading Matter](#), [Breadwinner An Afghan Child In A War Torn Land](#), [And Writers Notebook Grade 5 Answers](#), [Year Daily Reading And Prayer Bible](#), [Writing Readings Susan Fawcett](#), [Relations In The Age Of Laurier Essays Canadian Historical Readings](#), [New York Ccls Mathematics Assessments 6 Answer Key Free](#), [Read The Classics](#), [Skills For Success Reading And Writing 4 Answer Key Unit 2](#), [Sloan Readers Primer](#), [Reading And Writing Teachers Book Digibook Level 4](#), [Reading Series Level H Workbook](#), [In Eastern Religious Thought Buddhism](#), [David Hogg And Fake Survivor Thread 4](#), [The Tank Engine Easy To Read Treasury](#), [Biology The Spread Of Pathogens Answers](#), [Dreaded Comparison Race And Animal Slavery](#), [8 Multisyllabic Words For Reading Spelling And Vocabulary](#), [Full Story Online Read English](#), [Mifflin Reading Practice Book Grade 2 Vol 1 Themes 1 3](#), [Spread Of Pathogens Answer Key](#), [4 Reading Writing Answer Key](#), [Skills For Success Reading And Writing 2 Answer Key](#), [Explorer 4 Answer Key](#), [Skills For Success 4 Reading Writing Student Book](#)